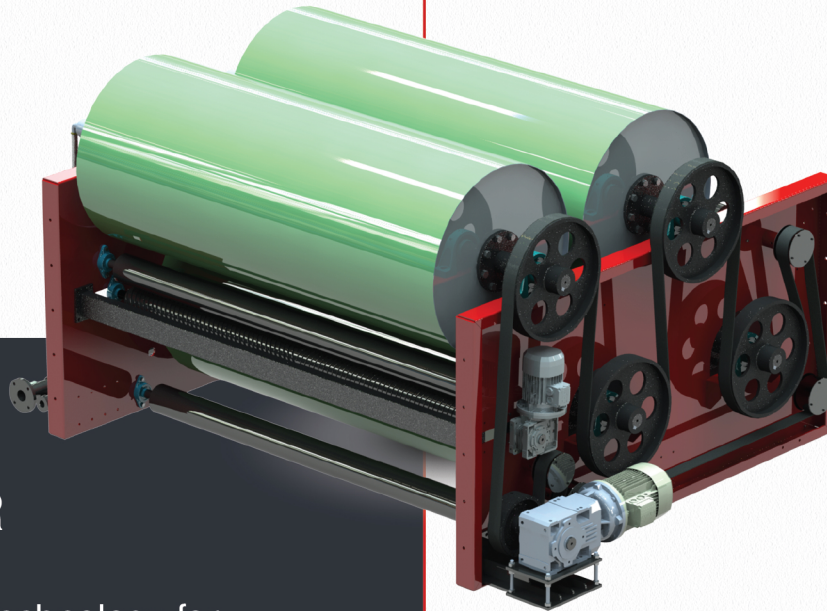




5 PRE-DRYER FOR STENTER

Premium Pre-Drying Technology for High-Speed Fabric Processing



Key Process Advantages

- » Increases overall production speed of stenter lines
- » Improves fabric surface feel and softness
- » Optimizes moisture evaporation prior to main drying chambers
- » Reduces energy demand and heat stress on the stenter
- » Ensures smooth, wrinkle-free fabric entry into weft straightener
- » Maintains gentle, low-tension fabric handling

The Dhara Pre-Dryer for Stenter is a precision-engineered pre-drying developed for **fabrics after single or double padding applications**. By partially evaporating moisture before the fabric enters the stenter drying chambers, the system significantly improves **line efficiency, production speed, and final fabric quality**.

This advanced pre-drying process reduces the thermal load on the stenter, enabling **lower energy consumption, improved surface touch, and more stable drying conditions**, making it an ideal solution for modern, high-performance finishing lines.

Compact & Export-Ready Design

The Dhara Pre-Dryer features a **space-optimized, modular structure** designed to integrate seamlessly with **all types of stenter machines and drying machine inlets**. Its compact footprint makes it ideal for both **new installations and retrofit projects**, especially where space efficiency is critical.

- » Suitable for continuous textile finishing lines
- » Designed for stable, vibration-free operation
- » Optional **thermal oil heated cylinders** available on request
- » Built to meet international export standards

TECHNICAL SPECIFICATION

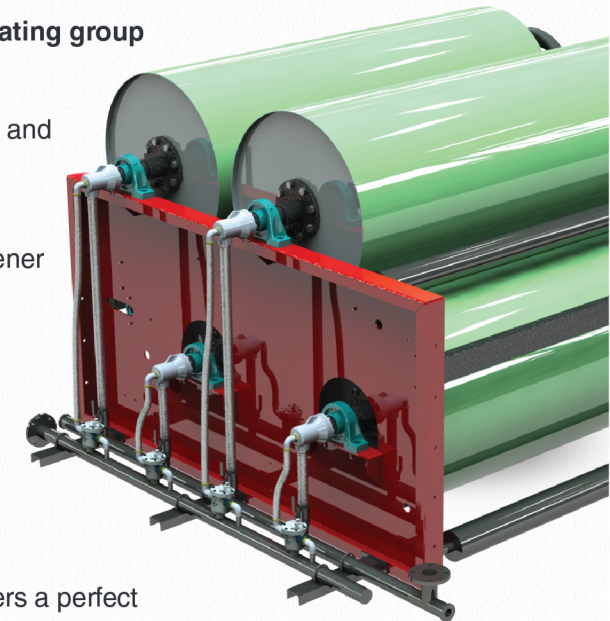
Parameter	Specification
Application	Pre-drying of knitted fabrics after padding
Working Width Range	1400 mm – 4000 mm
Heating Medium	Steam (Thermal oil optional)
Number of Steam Cylinders	3 / 4 / 5 / 6 / 8 / 10 / 12
Cylinder Diameter	400.MM / 600.MM / 800.MM
Cylinder Surface	Teflon coated
Drive System	AC inverter controlled
Fabric Transport	Driven pull-in roller & dancing roller
Tension Control	Compensating group with driven rollers
Fabric Expansion	Spiral expander group
Control Interface	Integrated with stenter line
Installation	Inlet of stenter / drying machine
Operation Mode	Continuous
Fabric Handling	Low-tension, wrinkle-free

Applications

- » Continuous stenter finishing lines
- » Energy-optimized textile processing plants
- » Export-oriented textile production facilities

Mechanical Configuration & Fabric Handling

- » **Spiral expander group** positioned before steaming cylinders to ensure fabric opening and wrinkle elimination
- » **Steam-heated base cylinders**, Teflon-coated for non-stick drying and easy maintenance
- » **Driven pull-in roller and dancing roller system** for tension-free fabric transfer between pre-dryer and weft straightener
- » **AC inverter-controlled drive system with motor and gearbox** for precise cylinder speed regulation
- » **Driven pull-in roller with compensating group** for accurate fabric tension control
- » **Idler rollers** to maximize fabric wrap and heat contact on steam cylinders
- » **AC-controlled driven roller unit** between pre-dryer and weft straightener for synchronized fabric flow




The Dhara Advantage


The **Dhara Pre-Dryer for Stenter** delivers a perfect balance of **performance, fabric care, and energy efficiency**. With its intelligent fabric handling, precise drive control, and compact design, it enhances stenter productivity while ensuring **superior fabric quality and long-term operational reliability**.


Dhara — Premium Drying Technology for Global Textile Excellence.



CONTACT

 DHARA TEXTILE MACHINERY PRIVATE LIMITED.
PLOT NO. 4011, ROAD NO. 4B
PHASE-4, GIDC VATVA
AHMEDABAD – 382445
GUJARAT, INDIA

 +91 98240 59699 (Shailesh Panchal)
+91 97230 59699 (Jay Panchal)

 sales@dharatextilemachinery.com
sales.india@dharatextilemachinery.com

 dharatextilemachinery.com

