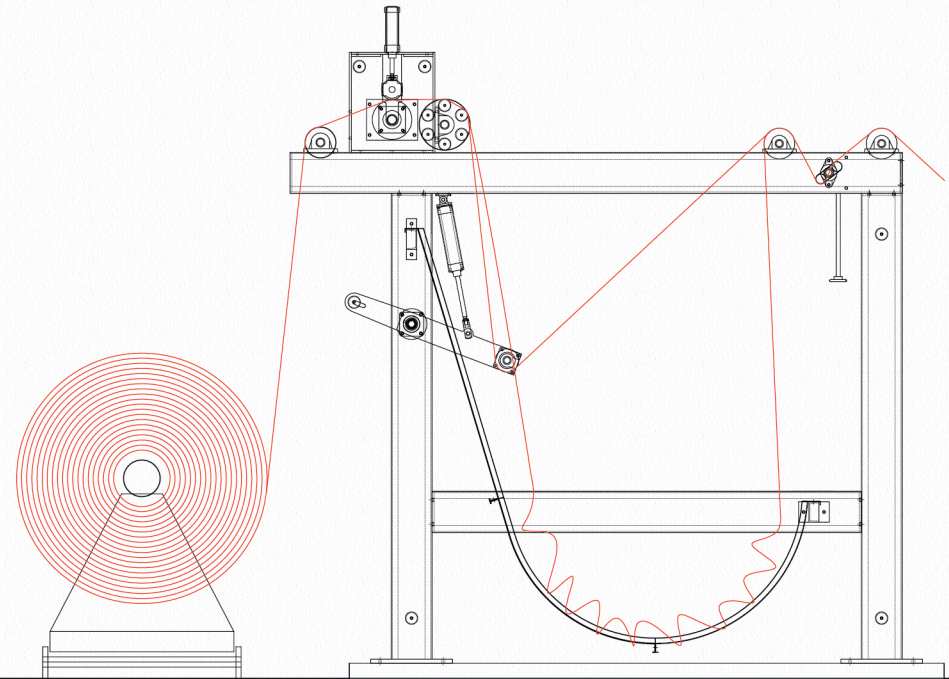




The Dhara J-Box Scray Unit is designed for continuous, non-stop fabric processing, serving as a controlled buffer at the inlet or outlet of textile finishing machines. Suitable for both woven and knitted fabrics, the unit enables smooth fabric accumulation, precise tension regulation, and uninterrupted machine operation—essential for modern, high-efficiency finishing plants.

Engineered for reliability and fabric safety, the Dhara J-Box Scray Unit ensures stable fabric flow, controlled dwell time, and consistent fabric presentation, even during speed variations between connected machines.



10 J-BOX SCRAY UNIT

Continuous Fabric Buffering & Tension Control for Non-Stop Finishing Lines

Process Function & Application

- » Acts as a fabric storage and buffer system for continuous processing
- » Allows upstream and downstream machines to operate independently
- » Prevents fabric tension shocks during speed changes or stoppages
- » Suitable for integration with washing ranges, dyeing lines, dryers, compactors, and finishing machines

Mechanical Design & Fabric Handling

- » Fabric tension adjustment mechanism for controlled fabric accumulation
- » AC inverter-controlled main traction roller, tape-wound for high grip and gentle fabric contact
- » Optional pressure roller on driven roller for specific fabric applications
- » Idler roller with ring system to guide fabric smoothly from driven cylinders
- » Multiple stainless steel idler rollers ensuring stable and crease-free fabric transport

J-Box Platform & Accumulation System

- » Stainless steel J-box platform sheet for corrosion resistance and long service life
- » Low-friction Teflon sledges to minimize fabric drag and surface damage
- » Optimized fabric stacking geometry to prevent creasing and rope marks

Control & Stability Systems

- » Fabric level control system for automatic regulation of fabric accumulation
- » Dancing roller system to absorb speed fluctuations and maintain constant tension
- » Compatible with all types of centering and guiding units.

Applications

- » Inlet or outlet buffering for:
 - > Washing ranges
 - > Dyeing ranges
 - > Drying ranges
 - > Compacting and finishing machines

Key Advantages

- » Enables non-stop, continuous production
- » Maintains low and stable fabric tension
- » Prevents fabric distortion during process transitions
- » Improves overall line efficiency and machine utilization
- » Robust construction with minimal maintenance requirements

Construction & Finish


- » Side frames hot-dip galvanized for corrosion protection
- » Finished with industrial-grade paint for long-term durability
- » Designed for operation in wet, humid, and chemically aggressive environments


The Dhara Advantage


The Dhara Desizing Machine combines robust stainless steel construction, precise temperature control, and flexible process settings to deliver reliable, reproducible desizing performance. It is an ideal solution for textile processors seeking clean fabric preparation, process efficiency, and long-term operational reliability.



CONTACT

 DHARA TEXTILE MACHINERY PRIVATE LIMITED.
PLOT NO. 4011, ROAD NO. 4B
PHASE-4, GIDC VATVA
AHMEDABAD – 382445
GUJARAT, INDIA

 +91 98240 59699 (Shailesh Panchal)
+91 97230 59699 (Jay Panchal)

 sales@dharatextilemachinery.com
sales.india@dharatextilemachinery.com

 dharatextilemachinery.com

